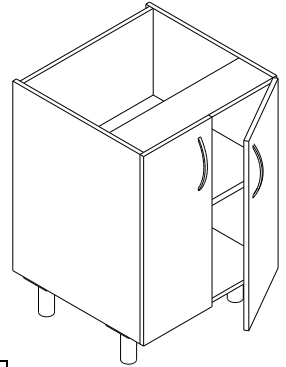


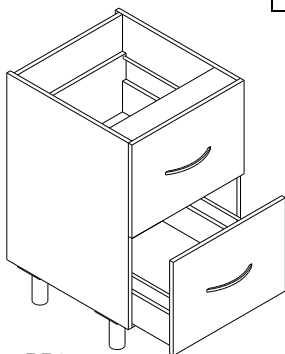
FCAD



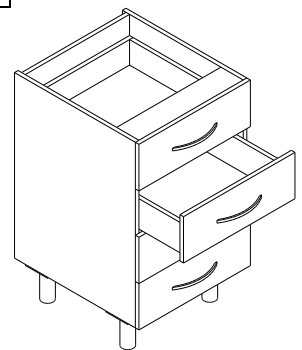
FCAD2

FLOOR UNIT WITH DOORS				
CABINET	WIDTHS	DEPTH	HEIGHT	D OORS
<b>FCAD</b>	250, 300, 350, 400, 450, 500, 550, 600	576	721	1
<b>FCAD2</b>	600, 650, 700, 750, 800, 850, 900 , 950, 1000, 1050, 1100, 1150, 1200	576	721	2
Cabinet supplied with door(s), hinges, handle(s) and adjustable feet.				

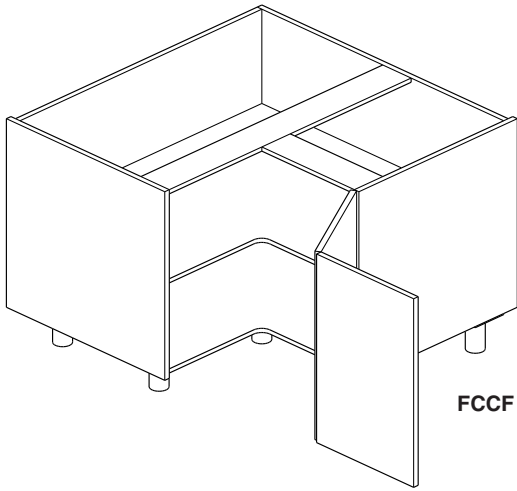
FLOOR UNIT WITH DRAWERS				
CABINET	WIDTHS	DEPTH	HEIGHT	DRAWERS
<b>DB</b>	450, 500, 550, 600, 700, 800, 900	576	721	2, 3, 4, 5 equal , 1 Small, 2 Large
Cabinet supplied with drawer fronts, boxes, backs, runners, handles and adjustable feet.				



DB2



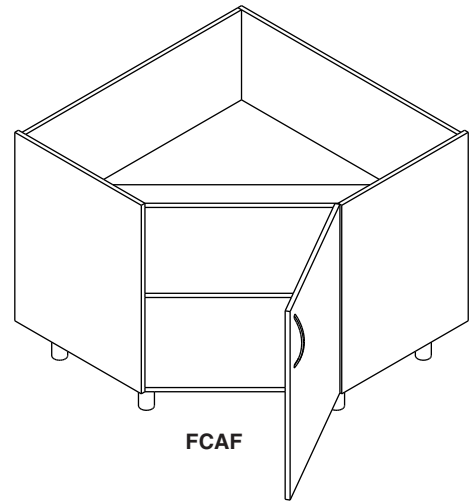
DB4



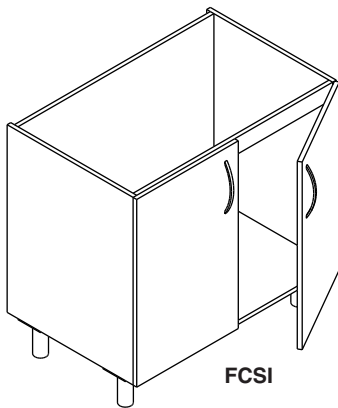
FCCF

FLOOR CORNER CUPBOARD				
CABINET	WIDTHS	DEPTH	HEIGHT	DOOR
FCCF	900 X 900	576	721	1
	1200 X 900 LH			
	900 X 1200 RH			
Cabinet supplied with door, hinges, handle and adjustable feet. Cabinets available with one long side left hand (LH) or right (RH).				

45 DEGREE FLOOR CORNER CUPBOARD				
CABINET	WIDTH	DEPTH	HEIGHT	DOORS
FCAF	1000 X 1000	576	721	1 or 2
Cabinet supplied with door, hinges, handle and adjustable feet.				



FCAF

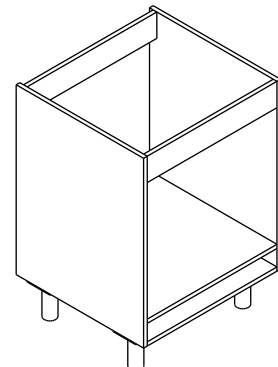


FCSI

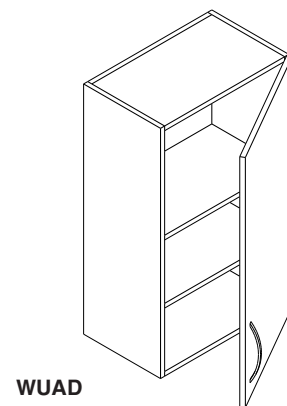
FLOOR CUPBOARD SINK				
CABINET	WIDTH	DEPTH	HEIGHT	DOORS
FCSI	900	576	721	2
Cabinet supplied with doors, hinges, handles and adjustable feet				

FLOOR CUPBOARD UNDERBENCH OVEN			
CABINET	WIDTHS	DEPTH	HEIGHT
FCUB	600, 900	576	721
Cabinet supplied with adjustable feet			

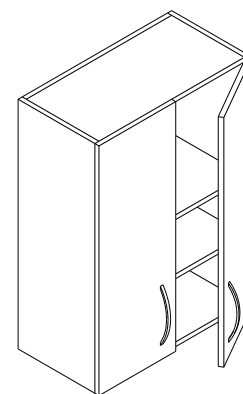
FCUB



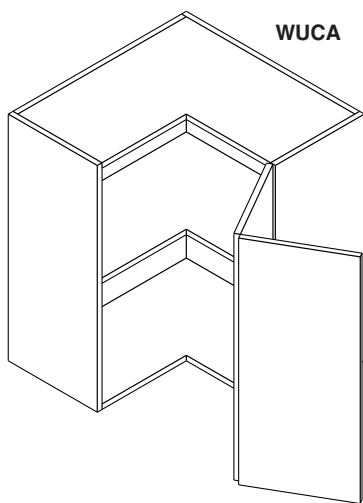
WALLUNIT				
CABINET	WIDTHS	DEPTH	HEIGHTS	KITCHEN HEIGHT / SPLASHBACK
<b>WUAD</b>	350, 400, 450, 500, 550, 600	318	550	2105 H WITH 656 SPLASH
			600	2105 H WITH 606 SPLASH
			670	2225 H WITH 656 SPLASH
			720	2105 H WITH 480 SPLASH 2225 H WITH 606 SPLASH
<b>WUAD2</b>	600, 650, 700, 750, 800, 850, 900, 950, 1000	318	845	2225 H WITH 480 SPLASH 2400 H WITH 656 SPLASH
			895	2400 H WITH 606 SPLASH
			1020	2400 H WITH 480 SPLASH
ALL WIDTHS AVAILABLE IN ALL HEIGHTS			Cabinet supplied with door(s), hinges and handle(s).	



WUAD



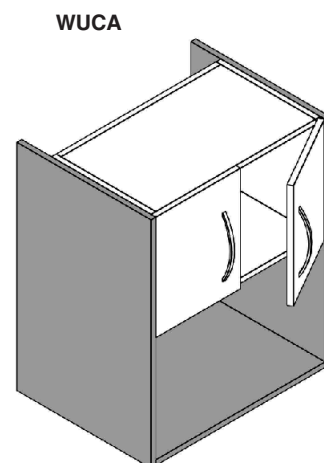
WUAD2



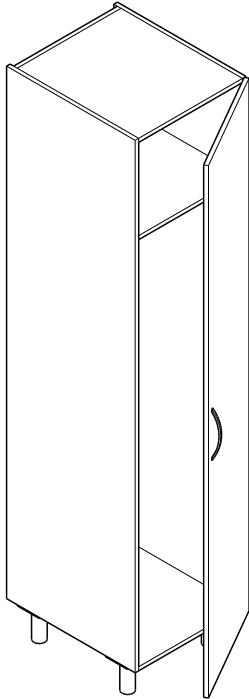
WUCA

CORNER WALLUNIT				
CABINET	WIDTH	DEPTH	HEIGHTS	KITCHEN HEIGHT / SPLASHBACK
<b>WUCA</b>	600 X 600	318	600	2105 H WITH 606 SPLASH
			720	2105 H WITH 480 SPLASH 2225 H WITH 606 SPLASH
			895	2225 H WITH 480 SPLASH 2400 H WITH 656 SPLASH
Cabinet supplied with doors, hinges and handle.				

WALL MICROWAVE UNIT				
Unit consists of coloured gables and base with a wall unit above the microwave cavity. Cavity measures 355 H x 600 W internal.				
CABINET	WIDTH	DEPTH	HEIGHTS	KITCHEN HEIGHT / SPLASHBACK
<b>WUCA</b>	632	480	720	2105 H WITH 480 SPLASH
			845	2225 H WITH 480 SPLASH
			1020	2400 H WITH 480 SPLASH
THIS UNIT CAN BE PLANNED FOR A LOWER SPLASH HEIGHT THAN REST OF KITCHEN			Cabinet supplied with doors, hinges and handles.	

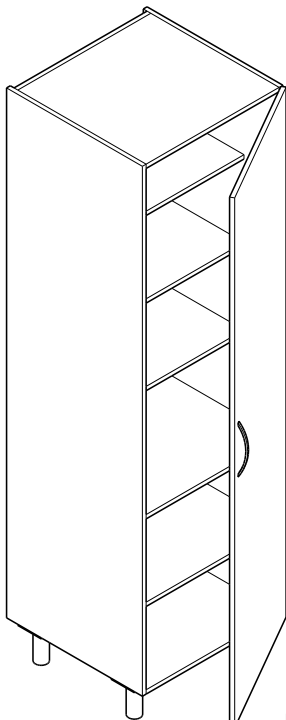


WUCA



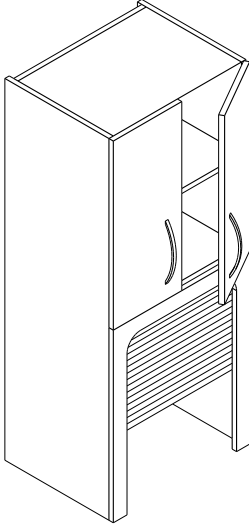
BCFX

BROOM CUPBOARD				
CABINET	WIDTHS	DEPTH	HEIGHTS	DOORS
<b>BCFX</b>	300, 400, 500, 600	600	1960, 2080, 2255	1
<b>BCFX2</b>	600, 700, 800, 900	600	1960, 2080, 2255	2
ALLOW 145 MM H FOR KICKS		1960 H suits 2105 Kitchen 2080 H suits 2225 Kitchen 2255 H suits 2400 Kitchen		
Cabinet supplied with door(s), hinges, handle(s) and adjustable feet.				



PUAD

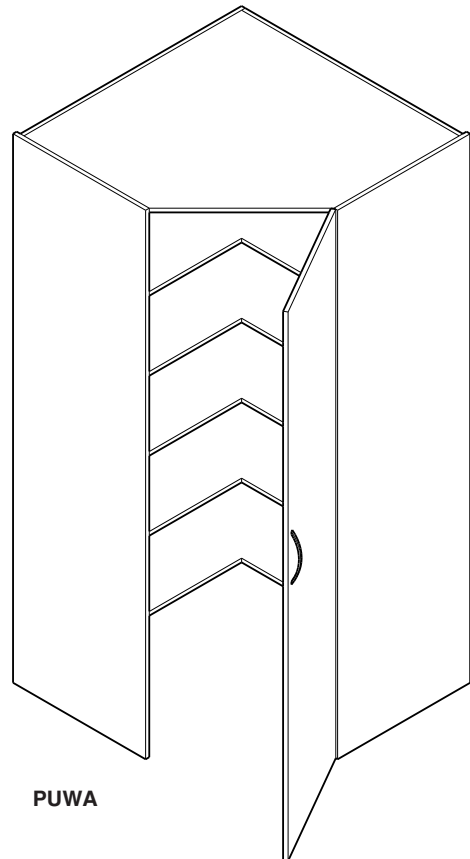
PANTRY				
CABINET	WIDTHS	DEPTH	HEIGHTS	DOORS
<b>PUAD</b>	350, 400, 450, 500, 550, 600	600	1960, 2080, 2255	1
<b>PUAD2</b>	600, 650, 700, 750, 800, 850, 900, 950	600	1960, 2080, 2255	2
ALLOW 145 MM H FOR KICKS		1960 H suits 2105 Kitchen 2080 H suits 2225 Kitchen 2255 H suits 2400 Kitchen		
Cabinet supplied with door(s), hinges, handle(s) and adjustable feet.				



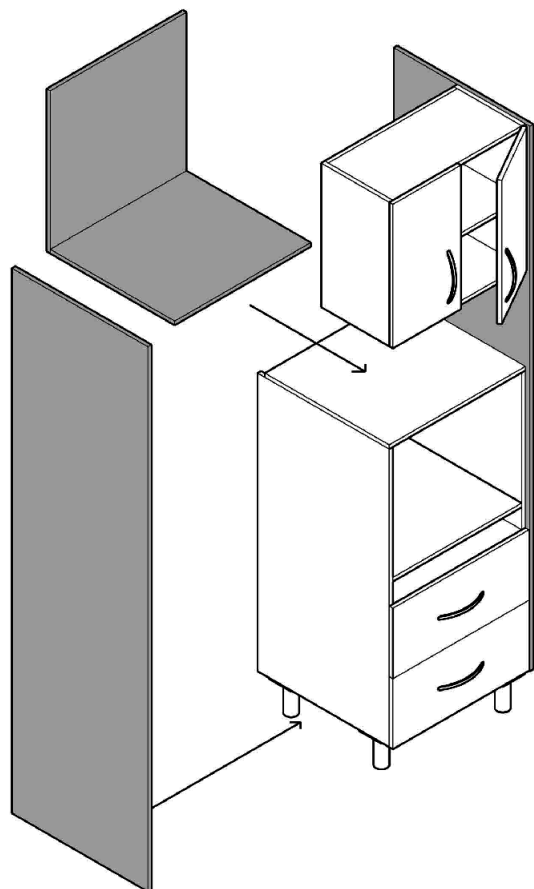
ACAD

APPLIANCE CUPBOARD			
CABINET	WIDTH	DEPTH	HEIGHTS
ACAD	600	400	1207, 1327, 1502
UNIT LOCATES ON 34 mm BENCHTOP		1207 H suits 2105 Kitchen 1327 H suits 2225 Kitchen 1502 H suits 2400 Kitchen	
Cabinet supplied with tambour door, doors, hinges and handles.			

WALK IN CORNER PANTRY			
CABINET	WIDTH	DEPTH	HEIGHTS
PUWA	1000 x 1000	600	2105, 2225, 2400
NO KICKS – GABLES SIT ON FLOOR		2105 H suits 2105 Kitchen 2225 H suits 2225 Kitchen 2400 H suits 2400 Kitchen	
Cabinet supplied with door, hinges and handle.			



PUWA



WOMU

**TALL UNITS WITH PANELS**

Some catalogue items consist of Cabinets and Coloured Panels, where the Panel is the supporting member of the unit.

Coloured Board is used where part or all of a Panel will be visible, such as at the end of a run of Cabinets, or as illustrated here.

Coloured Panels can be shared by adjoining units. For example, if **WOMU** (left) were planned next to a refrigerator **FWUA** (below) only one Coloured Panel would be required between the two units.

Coloured Panels do not need to be ordered separately if illustrated as part of a cabinet.

**WALL OVEN- MICROWAVE UNIT DRAWER BOX**

Microwave sits in open (coloured) cavity above built in wall oven.  
Cupboard above microwave hangs from coloured end panels.

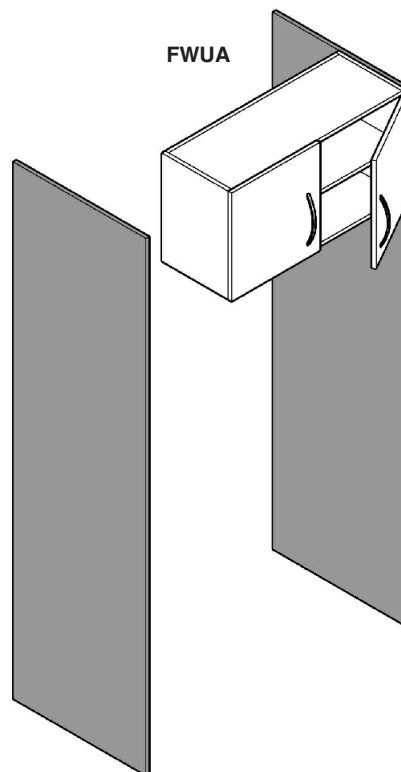
CABINET	WIDTH	DEPTH	HEIGHTS	DRAWERS
<b>WOMU</b>	632	600	1960, 2080, 2255	2 equal
ALLOW 145 MM H FOR KICKS		1960 H suits 2105 Kitchen 2080 H suits 2225 Kitchen 2255 H suits 2400 Kitchen		

**FRIDGE WALL UNITS**

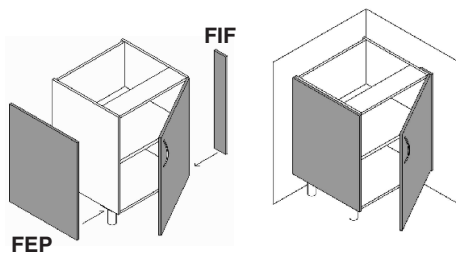
Wall Unit is supported by Coloured Fridge End Panels to suit Fridge Openings up to 1800 H. Listed widths are for the cabinet only.

CABINET	WIDTHS	DEPTHS	HEIGHTS	DOORS
<b>FWUA</b>	800, 900, 1000	300, 480	305	2
			425	
			600	
NO KICKS – FRIDGE END PANELS SIT ON FLOOR		305 H suits 2105 Kitchen 425 H suits 2225 Kitchen 600 H suits 2400 Kitchen		

FWUA

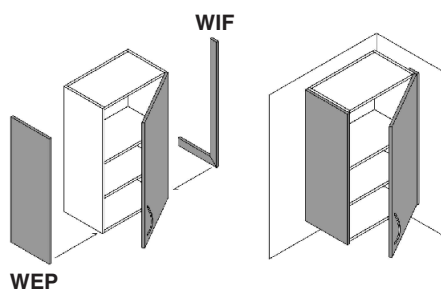


FLOOR END PANEL / FLOOR IN FILL		
CABINET	WIDTHS	HEIGHT
FEP	576	721
FIF	100	
ALLOW 145 MM H FOR KICKS		



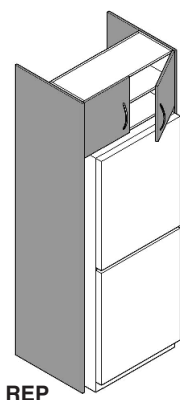
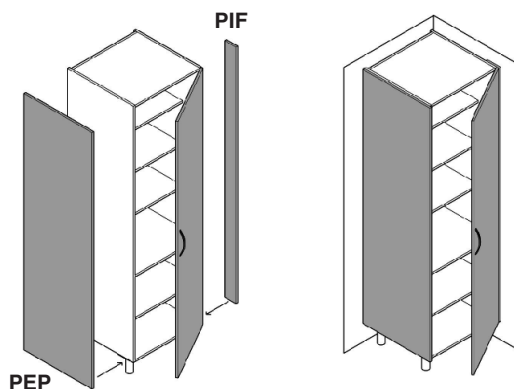
**PANELS**

All Cabinets require a Coloured End Panel on an exposed end. End panels are also used for Dishwasher Cavities and Refrigerator spaces. Colored In Fill is used where a cabinet finishes against a wall.



WALL END PANELS / WALL IN FILL		
CABINET	WIDTHS	HEIGHTS
WEP	318	550
		600
		670
		720
WIF	100	845
		895
		920
		1020

PANTRY END PANELS / PANTRY IN FILL		
CABINET	WIDTHS	HEIGHTS
PEP	600	1960 2080
PIF	100	2255
ALLOW 145 MM H FOR KICKS		1960 H suits 2105 Kitchen 2080 H suits 2225 Kitchen 2255 H suits 2400 Kitchen



REFRIGERATOR END PANELS		
CABINET	WIDTHS	HEIGHTS
REP	600	2105
		2225
		2400
NO KICKS- FRIDGE END PANELS SIT ON FLOOR THESE PANELS ALSO SUIT WALK IN CORNER PANTRY		

KICK BOARDS		
CABINET	WIDTHS	HEIGHT
KB	2400	145
Board supplied with clip on fasteners and edgetape		

